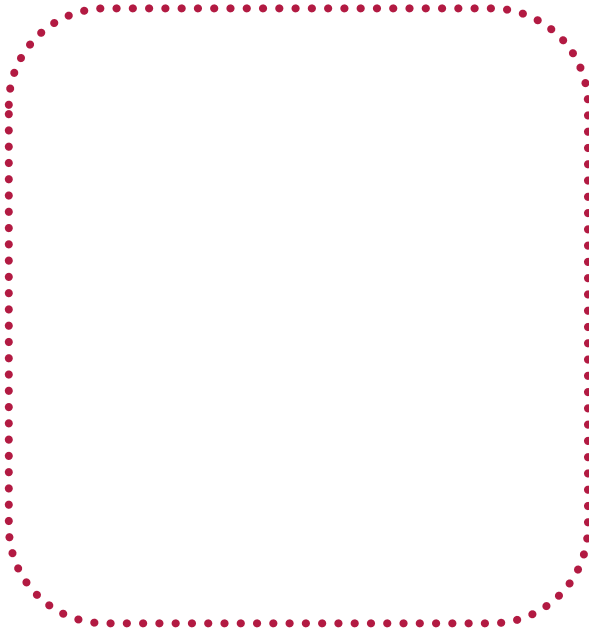


Hangar 1 Trail (A)

1

The first thing you see in Hangar 1 is our **wall of hats**.

Choose your favourite hat and draw it in the box below.



Why is it your favourite?

.....
.....

What job might you wear this hat for?

.....
.....

2

This is the RAF Roundel – it shows which aircraft belong to the RAF.

Each time you see one, put a tick in the box below. At the end, count up how many you have seen.

If you know how to tally, you could do that instead of ticks.



.....

How many did you see? 

3

This exhibition shows aircraft from the first 100 years of the RAF.

Can you find the oldest and newest aircraft in Hangar 1 and draw them in the boxes below?



Oldest

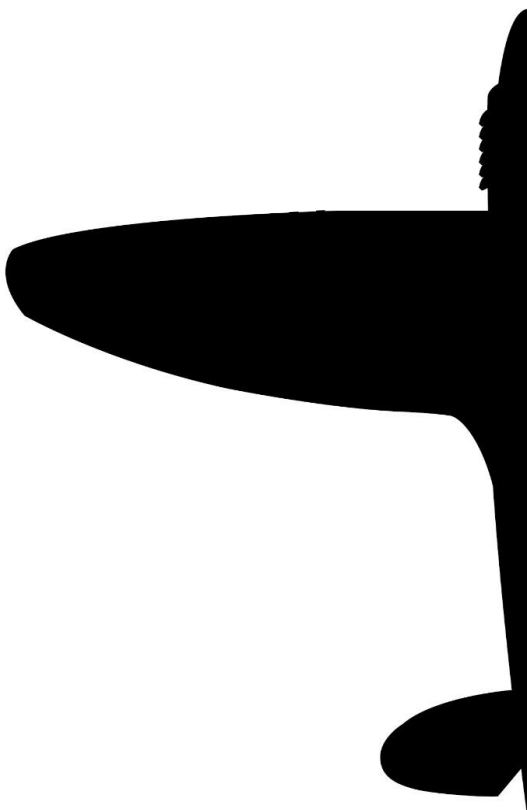


Newest

4

A **Spitfire** aircraft is symmetrical, which means it looks the same on both sides.

Can you draw the other half of the plane so it looks symmetrical?



5

The **Sea King** is a search and rescue helicopter.



Where might it rescue people from?



Why is it such a bright colour?



6

Find a **green truck** near to the Sea King helicopter.

Can you see the number plate? Write the four numbers in the boxes below.

Four empty boxes, each outlined with a dotted red border, intended for writing the numbers from a license plate.

What two or three digit numbers can you make using just these numbers?

two digit numbers

three digit numbers




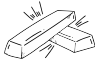
A large rounded rectangular area outlined with a dotted red border, intended for writing two-digit numbers.

A large rounded rectangular area outlined with a dotted red border, intended for writing three-digit numbers.

7

A lot of different materials have been used in this hangar.

Look around the exhibition for the materials below then write or draw the objects you find.

| | |
|--|--|
|  <p>Glass</p> | <p>Wood</p>  |
|  <p>Paper</p> | <p>Metal</p>  |

8

People have five senses - seeing, hearing, smelling, tasting, touching.

Imagine you are flying in one of the aircraft in Hangar 1 – what might you notice with your senses?

I can see

I can hear

I can smell

I can touch

I can taste

Well done – you have completed the Hangar 1 trail!